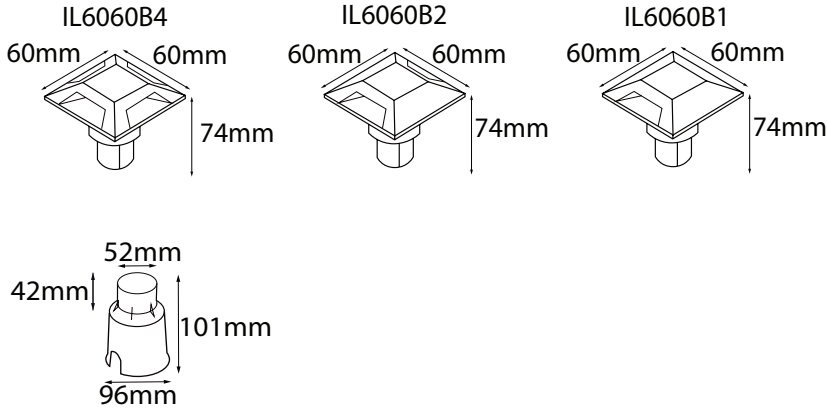
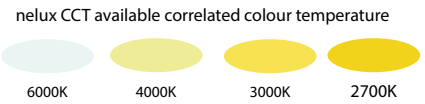
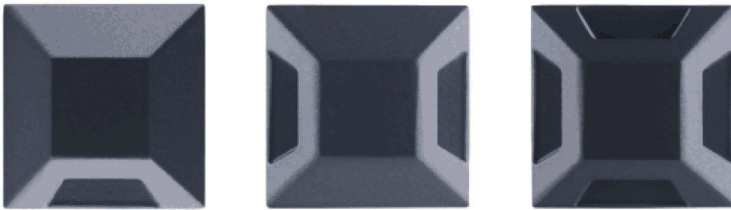


COMMERCIAL & RESIDENTIAL OUTDOOR

nelux architectural lighting



IL6060
 Material Aluminium anodized or powder painting
 Light Source cob CREE 3W
 CCT 2700K, 3000K, 4000K
 Input Voltage 110-240VAC
 IP54 fixture IK08
 Beam angle 20° (1Beam, 2Beam, 4 Beam angle)
 connector IP68 gel connector
 External driver constant current driver
 Cable H05RN-F 2x0.75mm² l=0.5m (low voltage)
 Mounting sleeve PC
 CRI>82

Splice connector

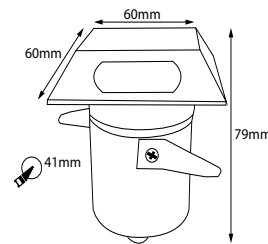
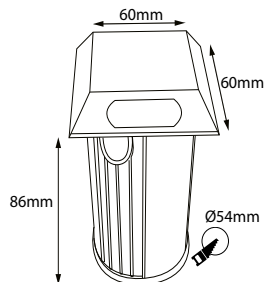
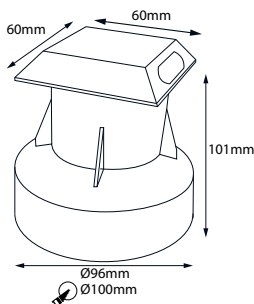


IP68 IK08

Outdoor In ground

Stairs In ground

Ceiling recessed



INGROUND DRIVE WAY

lighting product designers and mold management

